



PCH SERIES

Rack mount surge protection solutions for 110 punchdown to RJ45 installation environments

- Compact Form Factor
- High Speed, High Energy Handling Capability
- Insures Network Uptime And Integrity
- Ability To Protect High Speed Data and Telco Networks



Cylix PCH series protectors are a cost effective solution to overvoltage problems.

Transient surges can enter electronic equipment through any connection, not just the AC power line. Facilities with reliable AC power protectors can still experience surge-related system downtime. Transient surge energies from sources such as nearby lightning strikes, inductive load switching, ground loop currents, and electrostatic discharge are clamped by AC protectors into the shared communication ground, resulting in damage to expensive communication hardware.

Our PCH Series includes: 12, 24, and 48 port, 19" rack mounted protection units that feature 110 punchdown to RJ45 connectors. This series feature CAT6 performance for today's high speed data networks. These products are also available in configurations that offer surge protection to Telco and ISDN circuits. All of these units exhibit an extremely fast response time of less than 5 nanoseconds.

All these features and more make Cylix PCH series of surge protectors the most cost effective and versatile devices of their kind available today.

www.cylix.com



PCH SERIES

ELECTRICAL SPECIFICATIONS

	100/1000BASE T CAT 6/5E/5 ETHERNET	ISDN, T1, DDS (fused)	DIAL-UP/ MODEM / FAX (fused)
STD. CLAMP VOLTAGE	7.5 VOLTS	60 VOLTS	240 VOLTS
PEAK PULSE CURRENT 10/1000 us s.c. waveform @Vcl	100 AMPS	50 AMPS	75 AMPS
RESPONSE TIME	----- LESS THAN 5 NANoseconds -----		
MAXIMUM SHUNT CAPACITANCE	<8pF	<75pF	<95pF

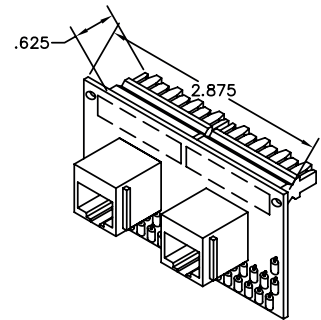
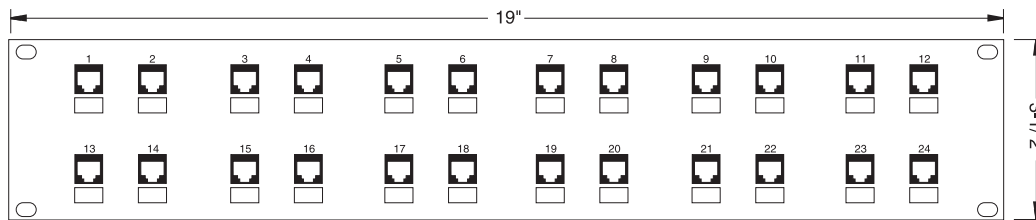
(Subject to change without notice)

SYSTEM APPLICATION AND MODEL NUMBER

CONNECTOR TYPE		100/1000BASE T CAT 6/5E/5 ETHERNET	ISDN, T1, DDS (fused)	DIAL-UP/ MODEM / FAX (fused)
12 PORT FLUSH MOUNT UNIT 110 BLOCK TO RJ45 (NOT SHOWN)	ALL PINS	PCH12-C6	X	X
	CENTER 4 PINS (8 PIN VERSION AVAILABLE)	X	PCH12-RJ45-B ⁽¹⁾	PCH12-RJ45-G ⁽¹⁾
24 PORT FLUSH MOUNT UNIT 110 BLOCK TO RJ45	ALL PINS	PCH24-C6	X	X
48 PORT STAND-OFF UNIT 110 BLOCK TO RJ45 (NOT SHOWN)	ALL PINS	PCH48-C6	X	X

⁽¹⁾ Not UL Listed

(Special Configurations Available)



Cylix "Circle of Protection" Warranty

The Cylix Corporation offers our "Circle of Protection" Warranty which includes a \$25,000 Connected Equipment Guarantee, 5 Year Replacement Program, and a Limited Lifetime Warranty. For complete warranty information, disclaimers, and exclusions, please visit www.cylix.com.

All specifications and dimensions are subject to change without notice.
© 2008 Cylix Corporation 4/08

